

## SPARE PARTS LIST

### Spiromatic S5/S6/S7 Face Mask





# READ BEFORE USE

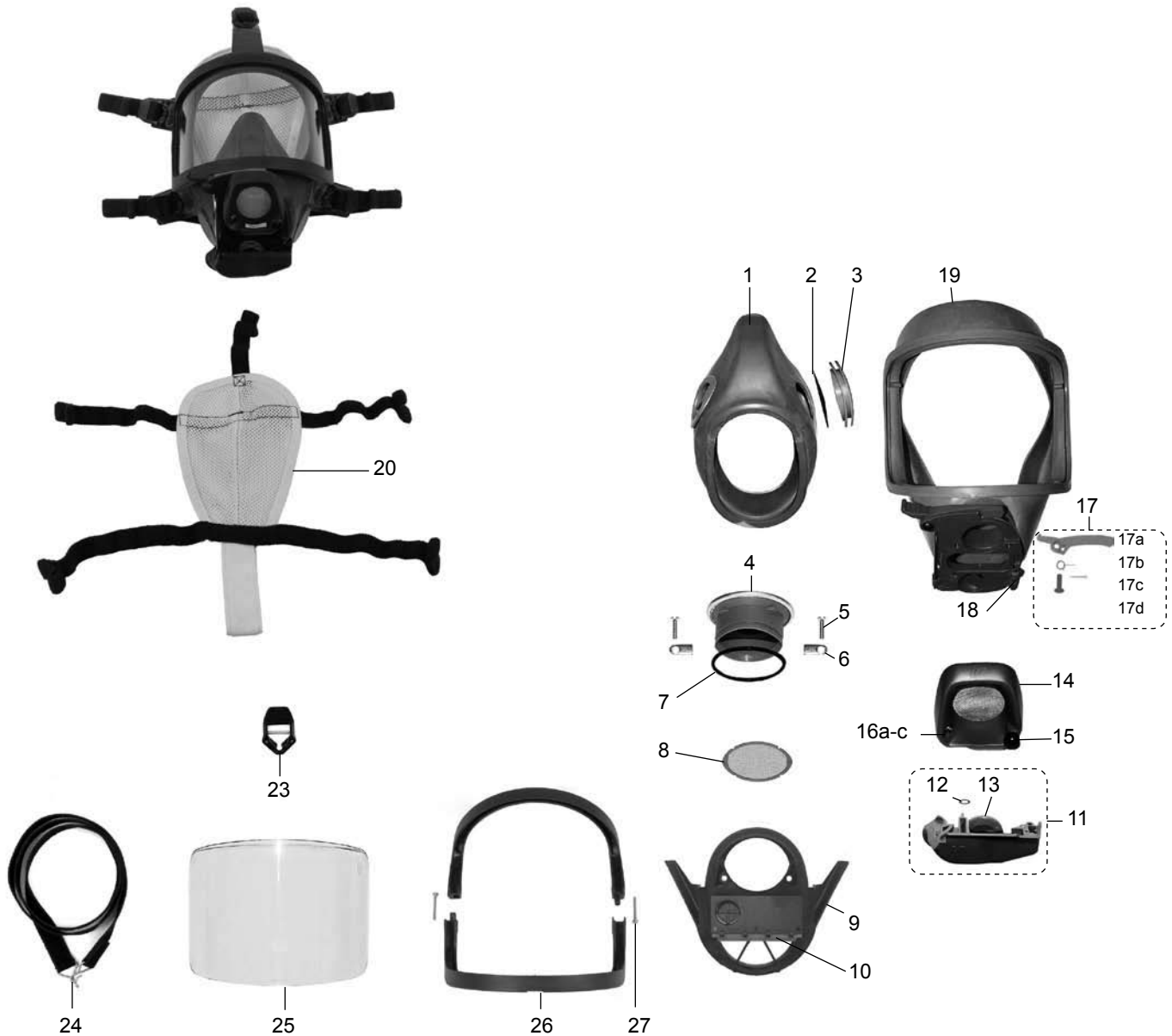
1. Only holders of a valid **INTERSPIRO SERVICE CERTIFICATE** may carry out service and repairs on **INTERSPIRO** breathing equipment. Unauthorized service may result in malfunction and users relying there on could sustain severe respiratory injury or death.
2. When using the spare part list always refer to the equipment's **SERVICE AND REPAIR** in regard to procedure and handling of the spare parts assembly and function.
3. Changes to this document – necessitated by typographical errors, inaccuracies of current information or improvements and changes of equipment – may be done at any time and without prior notice.
4. The **NOTE** column is used for short descriptions of the spare part, for example dimensions or number of included sub components. For example "10 x 336 100 437" indicates that this is a multi-pack that consists of 10 pieces of the single component 336 100 437.
5. The service kits contain replacement items used for preventive maintenance.
6. Always refer to **WWW.INTERSPIRO.COM** for product or document updates and for service bulletins.



# CONTENTS

<b>FACE MASK, AMBIENT AIR .....</b>	<b>6</b>
<b>BREATHING VALVE WITH INTEGRATED BYPASS.....</b>	<b>8</b>
<b>HUD.....</b>	<b>10</b>

# FACE MASK, AMBIENT AIR

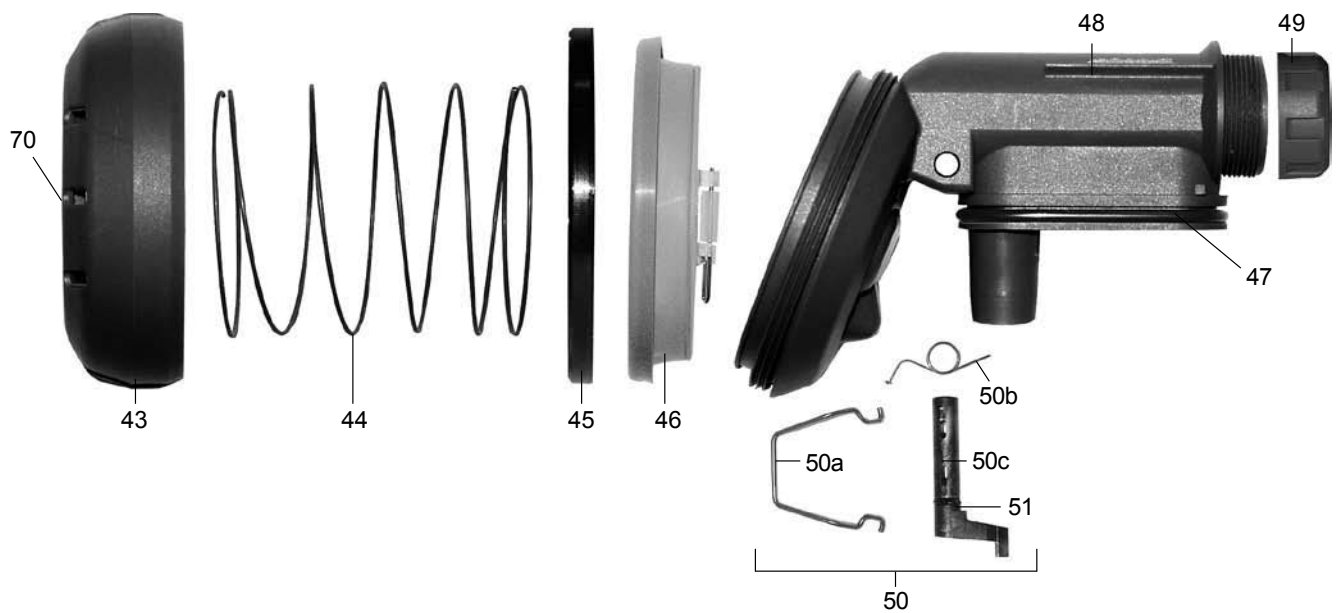
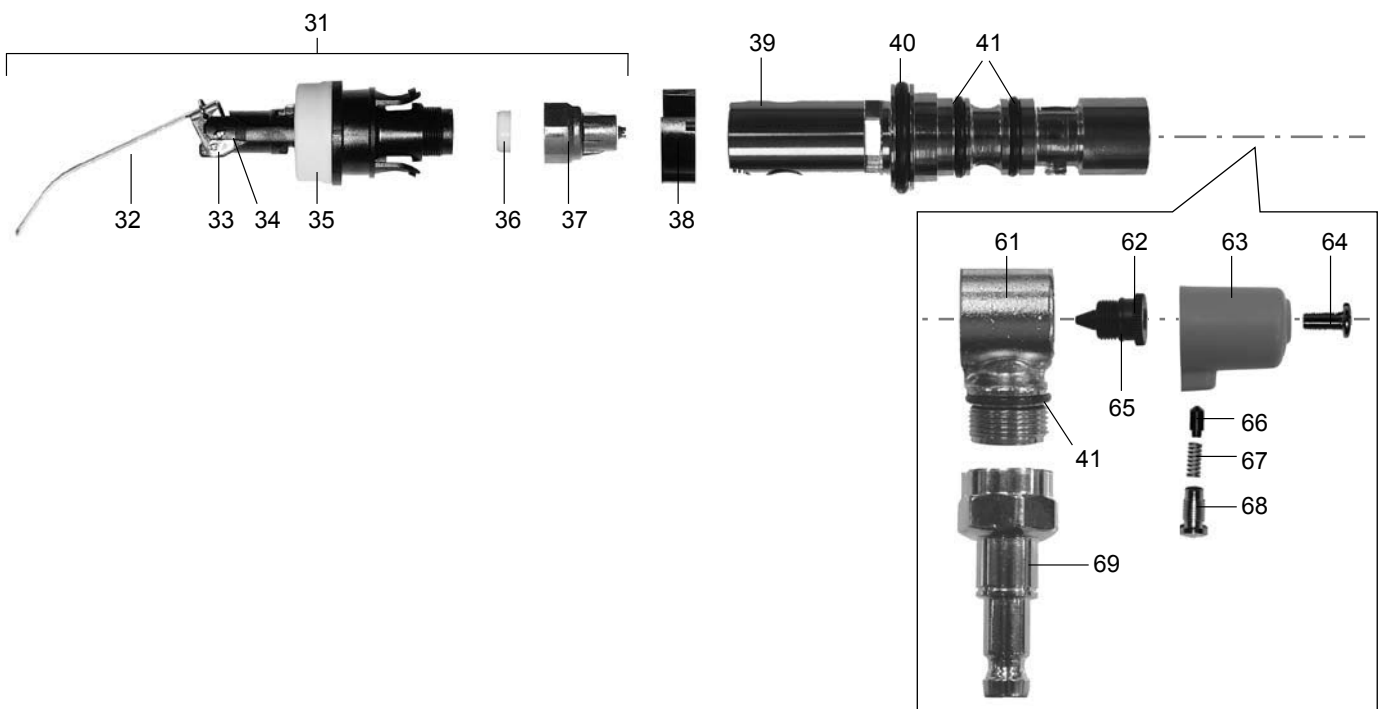


#	ORDER NO.	DESCRIPTION	NOTE
1a	95 002-52	Inner mask, S/M, black	
1b	96 756-52	Inner mask, L/XL, black	
2	460 190 014	Non-return valve disc	10 x 336 800 092
3	95 026-52	Seat valve, black	
4	336 190 773	Speech diaphragm with O-ring	Incl. #7
5	460 190 239	Screw	10 x 944 288 226
6	460 190 223	Locking plate	10 x 336 100 822
7	336 190 790	O-ring	10 x 336 900 268
8	460 190 149	Protective net	
9	460 190 019	Inner mask plate assy	Incl. #5, 6, 10
10	95 214-52	Non return flap	5 x 95 214-02
11	460 190 656	Exhalation valve assy., black	Incl. #12-13
12	460 190 071	O-ring	10 x 95 212-01
13	460 190 011	Exhalation valve disc	5 x 95 084
14	460 190 655	External speech cone assy, black	Incl. #15-16
15	460 190 148	Hand screw, complete	
16a	460 190 287	Pivot bushing	10 x 95 093-01
16b	460 190 288	Washer	10 x 944 482 124
16c	460 190 289	Screw	10 x 944 104 228
17	460 190 805	Indicator arm, black, complete	

#	ORDER NO.	DESCRIPTION	NOTE
18	460 190 374	Locking pin	5 x 95 202-01
19a	460 190 834	Mask body assy., S, black	
19b	460 190 659	Mask body assy., M/L, black	
19c	460 190 835	Mask body assy., XL, black	
20	460 190 352	Fabric head harness	
21	<i>Not used</i>		
22	<i>Not used</i>		
23	460 200 065	Buckle assy., black (5 pcs.)	
24	31 331-51	Neck strap assy., textile	
25	96 701-51	Visor, hardcoated, anti-fog	
26	460 190 657	Visor frame assy., black	Incl. #27
27	336 190 409	Screw and lock washer	10 x 99 726-11, 10 x 99 781-01

#	ORDER NO.	DESCRIPTION	NOTE
A	460 190 324	<b>Service kit</b> for 1 Spiromatic S Face mask	1 x #12, 1 x #13, 2 x #2

# BREATHING VALVE WITH INTEGRATED BYPASS





#	ORDER NO.	DESCRIPTION	NOTE
•	99 080-01	S-Breathing valve, black, including Bypass	
•	99 076-01	S-Bypass and connection nipple	
31	460 190 222	Valve insert	
32	460 190 348	Lever assy.	
33	460 190 151	Pin	10 x 95 058
34	460 190 152	Locking clip	10 x 95 059
35	460 190 027	Sealing sleeve	5 x 95 055
36	460 190 028	Balancing diaphragm	5 x 336 800 087
37	336 890 129	Valve cone assy.	
38	460 190 068	Locking ring	5 x 95 053
39	98 899-51	Connection nipple, integrated bypass	
40	336 190 227	O-ring	10 x 331 900 064
41	336 190 228	O-ring	10 x 336 900 007
42	<i>Not used</i>		
43	95 061-52	Cover, black	5 x 95 061-01
44	460 190 022	Positive pressure spring	5 x 95 063
45	460 190 308	Diaphragm ring	10 x 331 100 653
46	460 190 021	Diaphragm assy. CBRN	
47	460 190 023	O-ring	10 x 95 077-01
48	460 190 663	Valve housing assy., black	Incl. #43, 47, 49, 50
49	460 190 516	Nut, black	5 x 336 101 140
50	460 190 150	Lifting arm assy.	Incl. #51
51	336 190 225	O-ring	10 x 336 900 001
	<i>#52-#60 Not used</i>		
61	99 077-51	Connection house	
62	460 190 256	Valve spindle	
63	460 190 260	Bypass handle	
64	460 190 261	Screw	
65	460 190 262	O-ring	10 x 95 421-01
66	460 190 257	Plastic tip	
67	460 190 258	Spring	
68	460 190 259	Screw	
69	97 072-51	Quick coupling	
70	96 499-51	CBRN label	10 x 96 499-01

#	ORDER NO.	DESCRIPTION	NOTE
A	460 200 081	Service kit S breathing valve with integrated bypass	1 x #31, 1 x #40, 3 x #41, 1 x #46, 1 x #47, 1 x #50, 1 x #65

# HUD



## Spiromatic S7

#	ORDER NO.	DESCRIPTION	NOTE
1 a	31062-51	Wireless HUD	with batteries
2	99032-51	Screw	10 x 99 032-01
3a	98814-51	Batteries AAA	10 x 98 814-01
3b	98814-52	Batteries AAA	100 x 98 814-01

## Spiromatic S5 & Spiromatic S6

#	ORDER NO.	DESCRIPTION	NOTE
1 b	98 645-01	Wireless HUD	without batteries
2	99032-51	Screw	10 x 99 032-01
3a	98814-51	Batteries AAA	10 x 98 814-01
3b	98814-52	Batteries AAA	100 x 98 814-01



# INTERSPIRO

[www.interspiro.com](http://www.interspiro.com)

## CENTRAL EUROPE

### AUSTRIA

INTERSPIRO GesmbH [www.interspiro.de](http://www.interspiro.de)

Feldbacher Str. 3 A-8200 GLEISDORF AUSTRIA

TEL +43 (0)311 236 133 FAX +43 (0)311 236 133 22 E-MAIL [info@interspiro.de](mailto:info@interspiro.de)

### GERMANY

INTERSPIRO GmbH [www.interspiro.de](http://www.interspiro.de)

Postfach 1220 D-76691 FORST/BADEN GERMANY

TEL +49 (0)7251 8030 FAX +49 (0)7251 2298 E-MAIL [info@interspiro.de](mailto:info@interspiro.de)

### SWITZERLAND

INTERSPIRO AG [www.interspiro.de](http://www.interspiro.de)

Güterstraße 47 CH-4133 PRATTELN SWITZERLAND

TEL +41 61 827 99 77 FAX +41 61 827 99 70 E-MAIL [info@interspiro.ch](mailto:info@interspiro.ch)

### THE NETHERLANDS & BELGIUM

INTERSPIRO BV [www.interspiro.nl](http://www.interspiro.nl)

Operetteweg 35 NL-1323 VK ALMERE NETHERLANDS

TEL +31 (0)36 5363103 FAX +31 (0)36 5384809 E-MAIL [info@interspiro.com](mailto:info@interspiro.com)

## NORTH & SOUTH AMERICA

INTERSPIRO Inc. [www.interspiro-us.com](http://www.interspiro-us.com)

10225 82nd Avenue PLEASANT PRAIRIE WI 53158-5801 USA

TEL +1 262 947 9901 FAX +1 262 947 9902 E-MAIL [sales@interspiro-us.com](mailto:sales@interspiro-us.com)

## UNITED KINGDOM & IRELAND

INTERSPIRO Ltd. [www.interspiro.com](http://www.interspiro.com)

7 Hawksworth Road Central Park TELFORD Shropshire TF2 9TU UNITED KINGDOM

TEL +44 (0)1952 200 190 FAX +44 (0)1952 299 805 E-MAIL [info@interspiro.com](mailto:info@interspiro.com)

## SCANDINAVIA, ASIA/PACIFIC & MIDDLE EAST

### SWEDEN

NORDIC & EXPORT SALES DIVISION [www.interspiro.com](http://www.interspiro.com)

Box 2853 S-187 28 TÄBY SWEDEN

TEL +46 8 636 51 00 FAX +46 8 636 51 99 E-MAIL [info@interspiro.com](mailto:info@interspiro.com)

### MALAYSIA

NORDIC & EXPORT SALES DIVISION [www.interspiro.com](http://www.interspiro.com)

305 & 305A Lorong Perak Taman Melawati 53100 KUALA LUMPUR MALAYSIA

TEL +60 3 4105 8122 FAX +60 3 4105 3122 E-MAIL [asiapacific@interspiro.com](mailto:asiapacific@interspiro.com)