

SPARE PARTS LIST

SPIROMATIC 90 USA/USA-S HARNESS



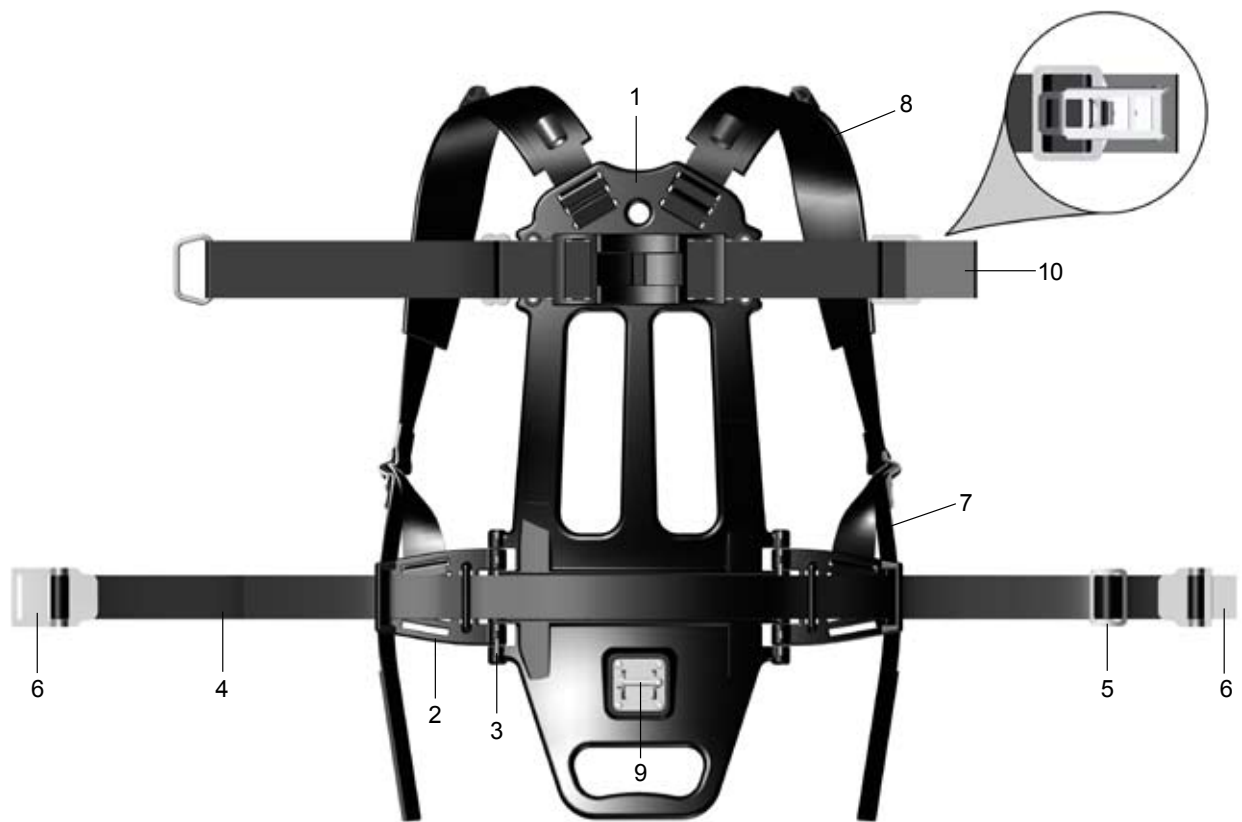
READ BEFORE USE

1. Only holders of a valid **INTERSPIRO SERVICE CERTIFICATE** may carry out service and repairs on **INTERSPIRO** breathing equipment. Unauthorized service may result in malfunction and users relying there on could sustain severe respiratory injury or death.
2. When using the spare part list always refer to the equipment's **SERVICE MANUAL** in regard to procedure and handling of the spare parts assembly and function.
3. Changes to this document – necessitated by typographical errors, inaccuracies of current information or improvements and changes of equipment – may be done at any time and without prior notice.
4. The **NOTE** column is used for short descriptions of the spare part, for example dimensions or number of included sub components. For example "10 x 336 100 437" indicates that this is a multi-pack that consists of 10 pieces of the single component 336 100 437.
5. The service kits contain replacement items used for preventive maintenance.
6. Always refer to **WWW.INTERSPIRO.COM** for product or document updates and for service bulletins.

CONTENTS

HARNESS.....	6
--------------	---

HARNESS



#	ORDER NO.	DESCRIPTION	NOTE
•	346 190 350	Harness	
1	99 537-51	Back plate assy	Incl. #2-3
2	99 294-51	Side arm	2 x 99 294-01
3	99 425-51	Pin	2 x 99 425-01
4	460 190 693	Waist strap assy	
5	460 190 373	Webbing buckle	2 x 336 100 115
6	460 190 067	Buckle (male & female part)	
7	460 190 694	Shoulder strap, lower	
8	460 190 695	Shoulder strap, upper	
9	346 190 113	Mounting set	
10	31 346-52	Cylinder strap	
11	31 343-51	Cylinder strap buckle	

INTERSPIRO

www.interspiro.com

CENTRAL EUROPE

AUSTRIA

INTERSPIRO GesmbH www.interspiro.de

Feldbacher Str. 3 A-8200 GLEISDORF AUSTRIA

TEL +43 (0)311 236 133 FAX +43 (0)311 236 133 22 E-MAIL info@interspiro.de

GERMANY

INTERSPIRO GmbH www.interspiro.de

Postfach 1220 D-76691 FORST/BADEN GERMANY

TEL +49 (0)7251 8030 FAX +49 (0)7251 2298 E-MAIL info@interspiro.de

SWITZERLAND

INTERSPIRO AG www.interspiro.de

Güterstraße 47 CH-4133 PRATTELN SWITZERLAND

TEL +41 61 827 99 77 FAX +41 61 827 99 70 E-MAIL info@interspiro.ch

THE NETHERLANDS & BELGIUM

INTERSPIRO BV www.interspiro.nl

Operetteweg 35 NL-1323 VK ALMERE NETHERLANDS

TEL +31 (0)36 5363103 FAX +31 (0)36 5384809 E-MAIL info@interspiro.com

NORTH & SOUTH AMERICA

INTERSPIRO Inc. www.interspiro-us.com

10225 82nd Avenue PLEASANT PRAIRIE WI 53158-5801 USA

TEL +1 262 947 9901 FAX +1 262 947 9902 E-MAIL sales@interspiro-us.com

UNITED KINGDOM & IRELAND

INTERSPIRO Ltd. www.interspiro.com

7 Hawksworth Road Central Park TELFORD Shropshire TF2 9TU UNITED KINGDOM

TEL +44 (0)1952 200 190 FAX +44 (0)1952 299 805 E-MAIL info@interspiro.com

SCANDINAVIA, ASIA/PACIFIC & MIDDLE EAST

SWEDEN

NORDIC & EXPORT SALES DIVISION www.interspiro.com

Box 2853 S-187 28 TÄBY SWEDEN

TEL +46 8 636 51 00 FAX +46 8 636 51 99 E-MAIL info@interspiro.com

MALAYSIA

NORDIC & EXPORT SALES DIVISION www.interspiro.com

305 & 305A Lorong Perak Taman Melawati 53100 KUALA LUMPUR MALAYSIA

TEL +60 3 4105 8122 FAX +60 3 4105 3122 E-MAIL asiapacific@interspiro.com