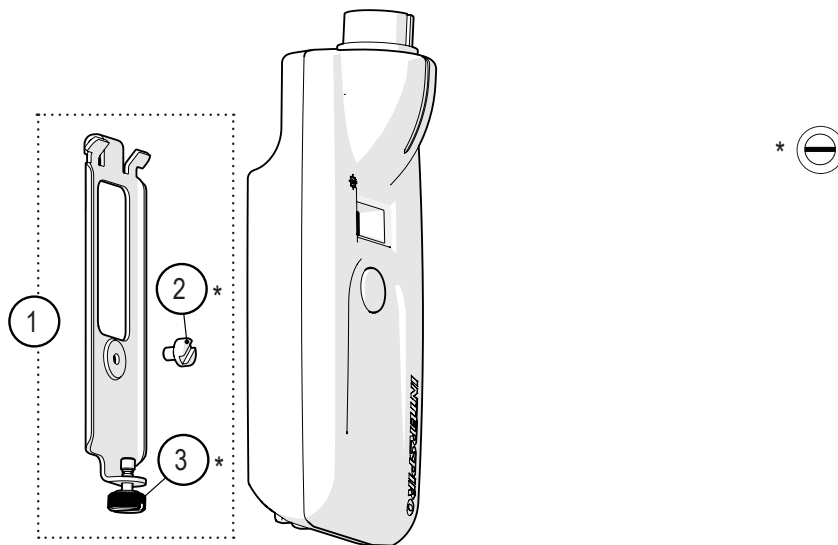
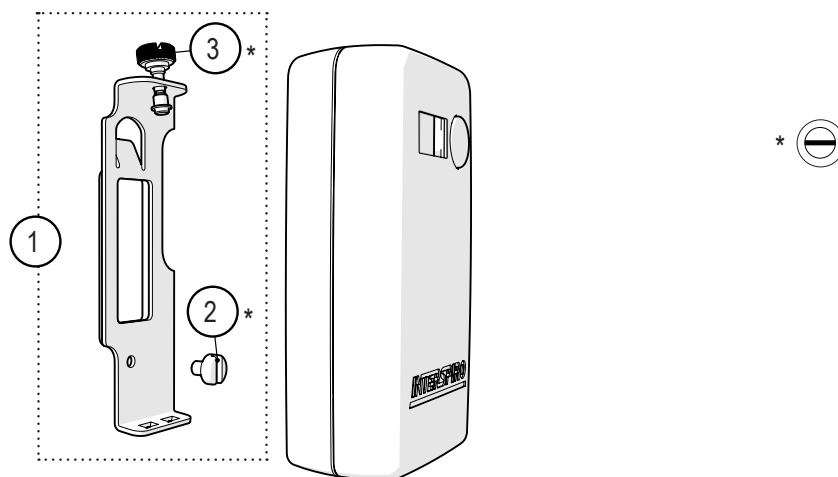


RAI ADAPTER



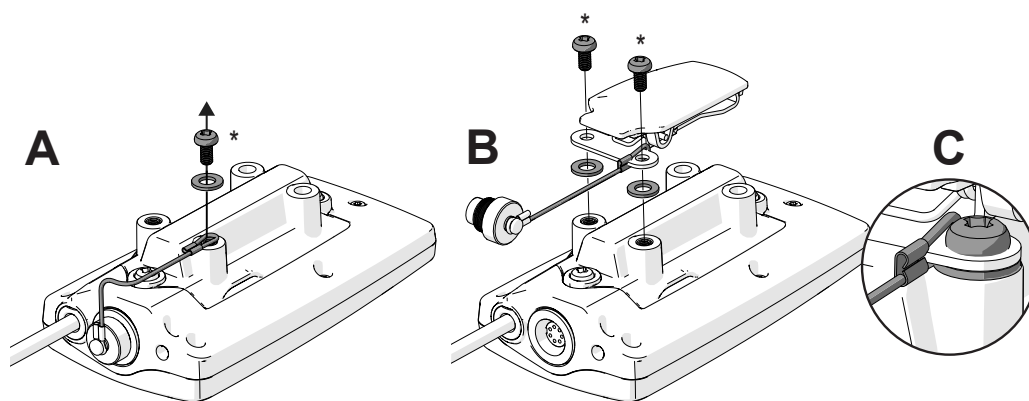
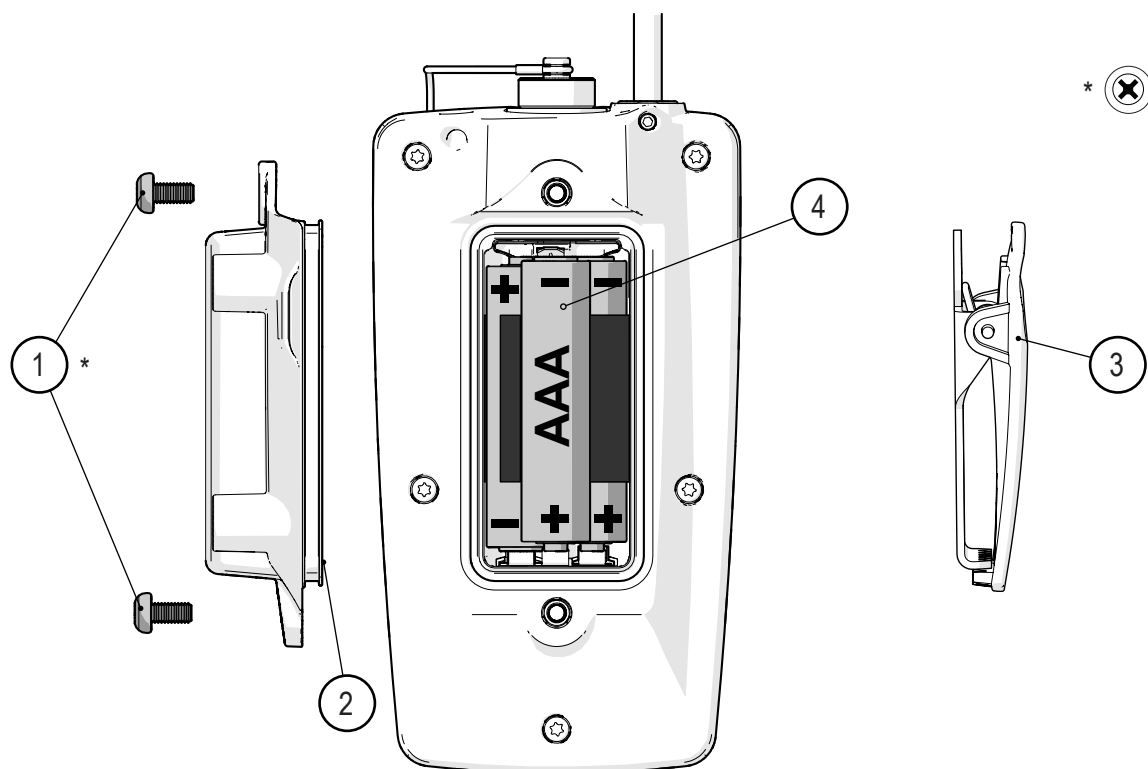
#	Description	Beschreibung	Beskrivning	Description
	Attachment bracket for:	Befestigungsbügel für:	Fästbygel till:	Pièce de fixation pour:
460200055	Motorola MTP 850S	Motorola MTP 850S	Motorola MTP 850S	Motorola MTP 850S
460200116	Motorola DP4400/DP4601	Motorola DP4400/DP4601	Motorola DP4400/DP4601	Motorola DP4400/DP4601
1 460200125	Motorola XTS 2500	Motorola XTS 2500	Motorola XTS 2500	Motorola XTS 2500
460200126	Sepura STP 8000/9000	Sepura STP 8000/9000	Sepura STP 8000/9000	Sepura STP 8000/9000
460200127	Motorola GP340	Motorola GP340	Motorola GP340	Motorola GP340
2 30763-51	Motorola screw, 10-pack	Motorola Schraube, 10er Pack	Motorola-skruv, 10-pack	Vis de Motorola, pack de 10
3 30791-52	Radio box screw, 10-pack	Radio-Box Schraube, 10er Pack	Radiobox-skruv, 10-pack	Vis, boîte de radio, pack de 10

TWR ADAPTER



#	Description	Beschreibung	Beskrivning	Description
1 32414-51	Attachment bracket for: Motorola GP340/HT1250	Befestigungsbügel für: Motorola GP340/HT1250	Fästbygel till: Motorola GP340/HT1250	Pièce de fixation pour: Motorola GP340/HT1250
2 30763-51	Motorola screw, 10-pack	Motorola Schraube, 10er Pack	Motorola-skruv, 10-pack	Vis de Motorola, pack de 10
3 30791-52	Radio box screw, 10-pack	Radio-Box Schraube, 10er Pack	Radiobox-skruv, 10-pack	Vis, boîte de radio, pack de 10

GRA ADAPTER



#	Description	Beschreibung	Beskrivning	Description
1	Screw 10 10-pack	Schraube 10er Pack	Skruv 10-pack	Vis (pack de 10)
2	O-ring 10-pack	O-Ring 10er Pack	O-ring 10-pack	Joint torique (pack de 10)
3	Attachment clip	Halterclip	Fästclip	Clip fixation
4	Batteries AAA, 10-pack	Batterien AAA 10er pack	Batterier AAA, 10-pack	Piles AAA, pack de 10
	Batteries AAA, 100-pack	Batterien AAA 100 Stück	Batterier AAA, 100-pack	Piles AAA, pack de 100