

## Spirolink repeater

### User manual

33317D01  
2024-10

Copyright © 2024 Interspiro

This publication contains or refers to proprietary information which is protected by copyright. All rights are reserved. Interspiro®, Oxydive® and Divator® are registered trademarks belonging to Interspiro. This publication may not be copied, photocopied, reproduced, translated, or converted to any electronic or machinereadable form in whole or in part, without prior written approval from Interspiro.

# Table of Contents

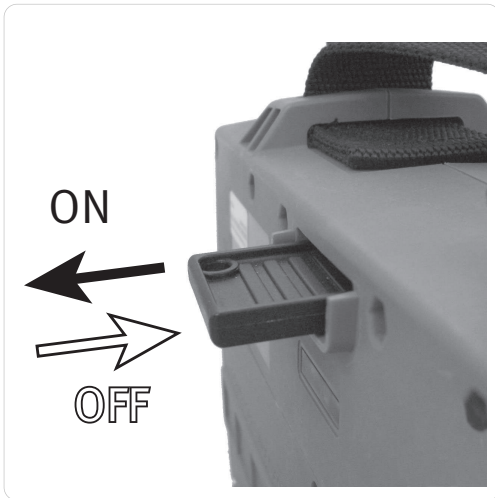
Activating and deactivating the unit (On/Off) .....	5
Battery status and network indication .....	6
Replacing batteries .....	7
Waste Electrical and Electronic Equipment (WEEE) Disposal Instructions .....	8



## Activating and deactivating the unit (On/Off)

Protection classification for Spirolink repeater is IP66.

1. The repeater is activated (turned ON) by removing the tally key from the unit.
2. The repeater is deactivated (turned OFF) by inserting the tally key into the unit.



# Battery status and network indication

1. Battery status and network indication are both shown by the LED indicator on the back side of the unit.



2. Battery status and network indication are alternately displayed on the LED; with long pulses (battery) and shorter pulses (network).

## Battery status (long pulse)

1. The long pulse (2 second) shown on the LED show the battery status:
  - GREEN long pulse = OK battery
  - RED long pulse = Low battery
2. If battery is empty, then the LED constantly shows RED.

## Network Indication (shorter pulses)

- The network number is shown as one or more continuous pulses, the number of pulses is equal to the network number.

Example: • = network 1, •• = network 2, ••• = network 3, etc.

### Examples:

- **Roaming:** Battery status GREEN or RED long pulse, followed by RED network number.
- **Connected:** Battery status GREEN or RED long pulse, followed by GREEN network number.
- **Low battery:** Battery status RED long pulse, followed by GREEN or RED network number.
- **Battery empty:** The LED is constantly showing RED.

# Replacing batteries

Always use the specified Energizer Lithium L91 batteries.

Interspiro assumes no liability for mechanical, electrical or any other type of battery failure.

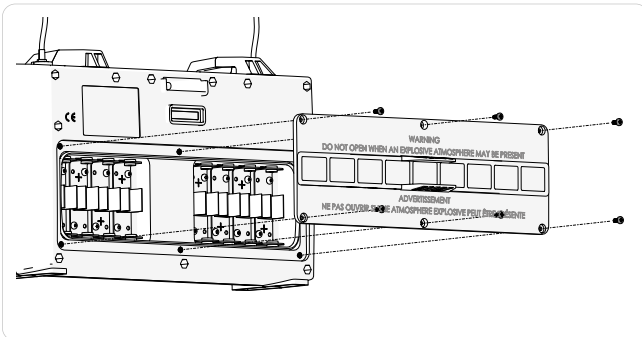
Do not mix battery manufacturers or old with new batteries.



## Caution

Batteries must only be changed in an area known to be non-hazardous.

1. Use a Phillips screwdriver.  
Use a screwdriver to unscrew the screws holding the battery cover.  
Remove the battery cover.



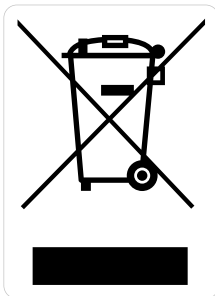
2. Replace the batteries according to the orientation marked in the battery compartment.
3. Reassemble the battery cover and the screws.  
Tighten the screws moderately.

## Waste Electrical and Electronic Equipment (WEEE) Disposal Instructions

In compliance with the European Community Directive 2002/96/EC, applicable as of January 27, 2003, it is important to dispose of Waste Electrical and Electronic Equipment (WEEE) in an environmentally responsible manner.

Correct Disposal of This Product:

1. **Do Not Dispose in Regular Waste:** This product is marked with the crossed-out wheeled bin symbol. This indicates that it should not be disposed of as regular household waste.
2. **Separate Collection:** To prevent potential harm to the environment and human health from hazardous substances in electrical and electronic equipment, ensure that this product is disposed of at an authorized recycling facility or through a dedicated collection system.
3. **Local Disposal Regulations:** Please consult your local waste management authority or the retailer where you purchased the product for information on approved collection points or recycling programs. These facilities will ensure that WEEE is recycled properly, reducing the impact on the environment.
4. **Battery Disposal:** If your product contains batteries, dispose of them separately in accordance with local laws and regulations for battery disposal. By properly disposing of this product, you contribute to the sustainable reuse of materials and the conservation of natural resources. For more information on recycling and disposal, please contact your local authorities.













Keeps You Breathing